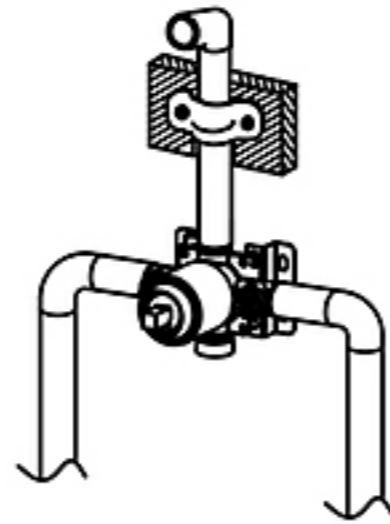
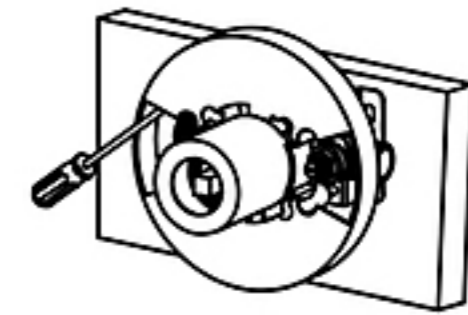


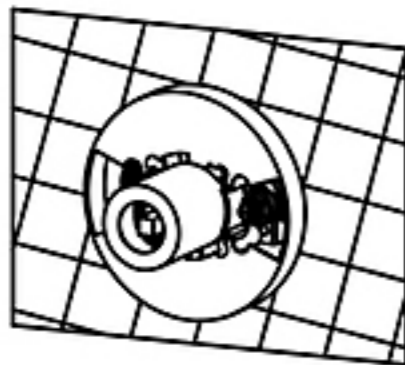
1. Confirm the installed place of the pressure balance valve and fixed on the wood block.



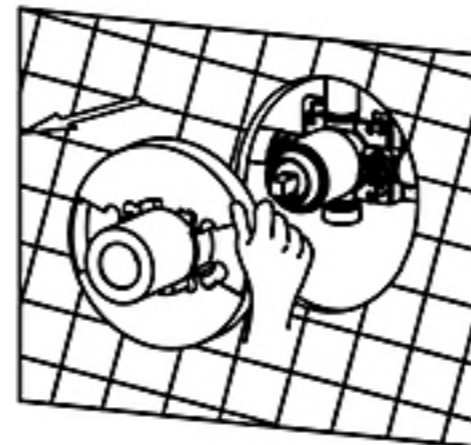
2. Connect the hot&cold inlet tube and outlet tube, then make sure the tube fix stable on the wooden wall.



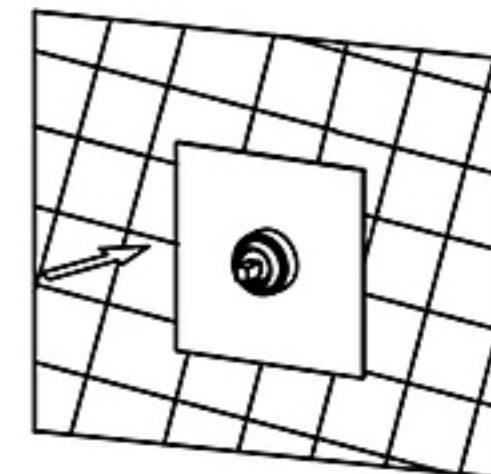
3. Lock the install protective cover into the body(Φ140mm round type).



4. Please cut the size of the tile hole according to the size and shape of the protected cover (about 5mm bigger than the protected cover from each side). And please put the tile outside the wooden wall (please noted that we keep the same central point for the tile hole with the protected cover).



5. Loosen the screw and remove protect cover.



6. Lock the deck plate into the body and cling to the wall.



7. Put on the handle, then tight the screw.

SKU: GL-SE

T.855-608-4150

SALES@GALIMBATH.COM

WWW.GALIMBATH.COM

All technical and pricing information is subject to change without prior notice. To confirm accuracy, please contact us above.