

OPERATION

- Lever style handle with temperature indicator on the escutcheon
- Handle operates upward through a 23° arc. The rotation angle of temperature is 100°. Maximum hot through 50° in clockwise direction. Minimum cold through 50° in counterclockwise
- Adjustable temperature limit stop to control maximum hot water temperature
- Pressure balancing mechanism maintains selected discharge temperature to $\pm 3.6^{\circ}\text{F}$ ($\pm 2^{\circ}\text{C}$)

FLOW

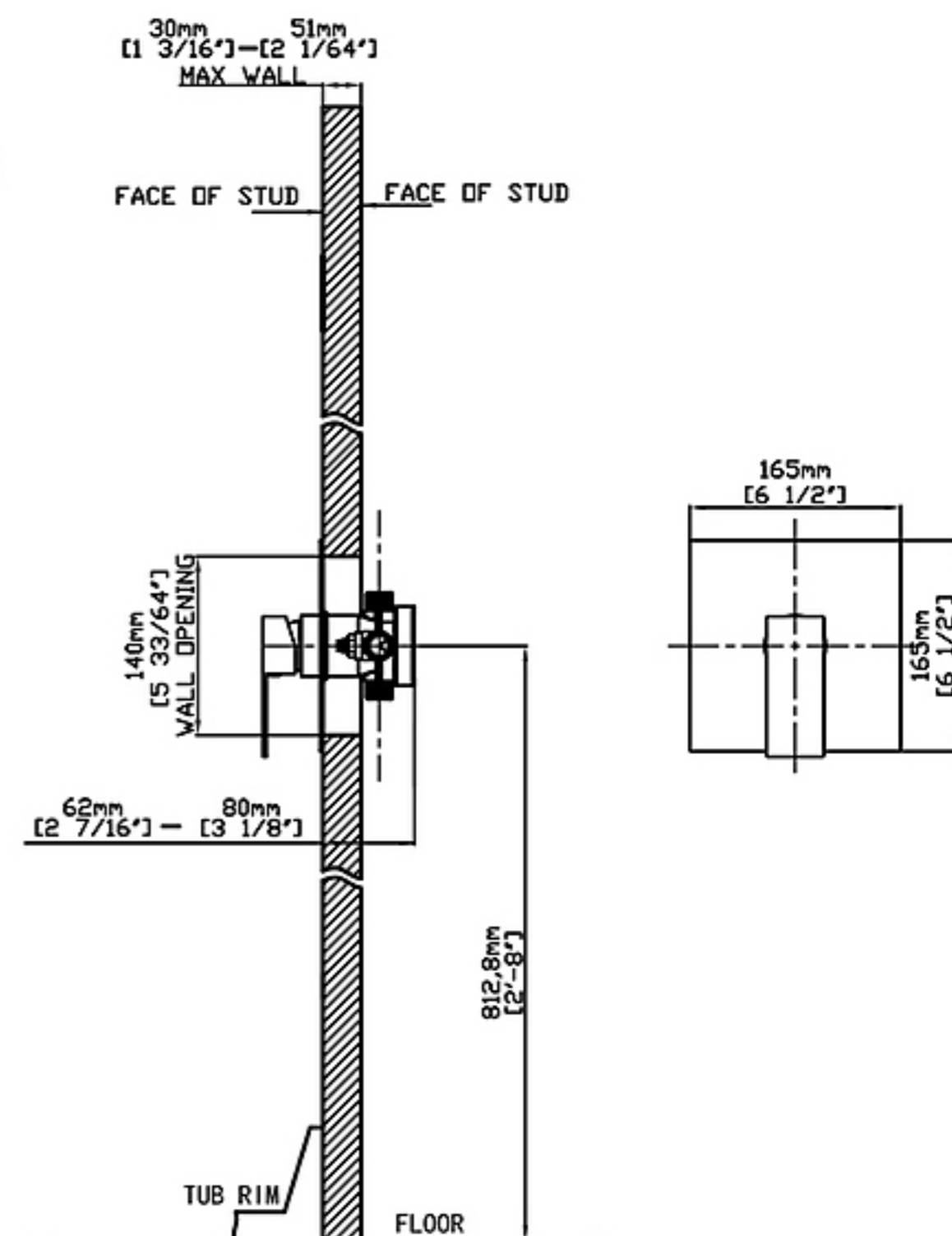
- Showerhead is limited to 2.5gpm(9.5L/min) at 80psi

CARTRIDGE

- Pressure Balance cartridge

STANDARDS

- Third party certified to meet ASME A112.18.1 all applicable requirements referenced therein



SKU: GL-SE

Note: Dimensions are for reference only. Detailed information is in accordance with the final product.

T.855-608-4150

SALES@GALIMBATH.COM

WWW.GALIMBATH.COM

All technical and pricing information is subject to change without prior notice. To confirm accuracy, please contact us above.